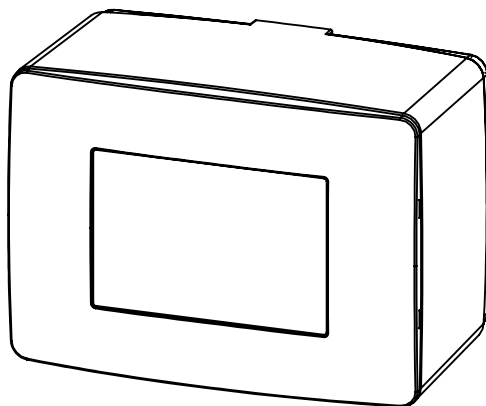


**CB LCD W**

**CE**



# Index

*Read the instructions contained in this booklet carefully before using the appliance.*

***Joule** cannot assume any responsibility for damage to property or personal injury resulting from failure to abide by the instructions given in this booklet.*

*Following these instructions will ensure a long service life and overall electrical and mechanical reliability.*

*Keep this instruction booklet in a safe place.*

Safety .....10

1. Description and use .....12

2. Operation and use of the control unit .....12

3. Connection diagrams .....13

4. Installation .....14

5. Maintenance and cleaning .....14

Images .....51

## Safety

**Warning:**

this symbol indicated the need to take precautions to prevent the user from harm

- Follow safety instructions to prevent damaging the user.
- Do not use the device for any function other than that specified in this booklet.
- After removing the product from its packaging, ensure that it is not damaged. If in doubt please contact a professionally qualified person or authorised **Joule** Technical Assistance Centre.
- Never leave packaging parts within reach of children or disabled persons.
- The use of any electric device requires compliance with a few fundamental rules, including: never touch it with wet or humid hands, never touch it when barefoot.
- Do not use the unit in the presence of flammable substances or vapours such as alcohol, insecticides, gasoline, etc.
- Store the device away from children and persons with disabilities when you decide to disconnect it from the power supply and not to use it any more.
- Take precautions to prevent gas coming into the flue pipe or from other open flame devices from entering into the room.
- The device may be used by children over 8 years old and persons with reduced physical, sensory or mental capabilities, or lacking in experience or necessary knowledge, as long as they are supervised, or after they have received instructions for the safe use of the unit and on inherent dangers. Children must not play with the unit. Cleaning and maintenance to be carried out by the user must not be performed by children unless supervised.

**Caution:**

this symbol indicates that care must be taken to avoid damaging the appliance

- Do not make changes of any kind to the unit.
- Maintenance instructions must be followed to prevent damage to and/or excessive wear of the device.
- Do not leave the device exposed to adverse weather conditions (rain, sun, etc.)
- Do not rest objects on the device.
- Internal cleaning of the product must only be carried out by qualified personnel.
- Periodically check device conditions. If imperfections are noted, do not use the unit and immediately contact an authorised **Joule** Technical Assistance Centre.
- Promptly contact an authorised **Joule** Technical Assistance Centre in the event of unit malfunction and/or failure and request the use of original **Joule** spare parts for any repairs.
- If the product falls or receives a strong blow, immediately have it inspected at an authorised **Joule** Technical Assistance Centre.
- The device must be installed so as to ensure that no one can come near its moving or live parts during normal operating conditions.
- In the event of: device dismantling, using appropriate tools, heat exchanger removal, motor module removal: the device must already be switched off and disconnected from the electrical mains.
- The electrical system to which the product is connected must comply with regulations in place.
- Only connect the device to the mains supply/ electrical outlet if plant/outlet capacity is suitable for its maximum power. If otherwise, immediately seek assistance from a professionally qualified person.
- Switch off the main switch on the system when: a malfunction is detected, you decide to perform external cleaning maintenance, you decide not to use the device for short or long periods.
- The extracted air flow must be clean (or rather free of grease, soot, chemical and corrosive substances or explosive and flammable mixtures).
- Never cover the device intake and return to ensure optimal air passage.
- The electrical specifications correspond to the ones on the data label. (Fig.A)

## **1. Description and use**

This installation and maintenance manual is to be considered an integral part of the CB LCD W remote control unit (hereinafter referred to as Remote Control).

The Remote Control has been designed for wall mounting inside its external box **SC EXT B**. The Remote Control is equipped with an LCD graphics screen for HRU **Joule** system control (Heat Recovery Unit).

This manual must be stored for future reference until dismantling. It is intended for specialised installers (installers - maintenance operators) as well as for the end user. This manual describes the installation modes to be complied with for correct and safe operation of the equipment and information on how to use and maintain it.

In case of sale or transfer of the device to another user, the manual must follow the device to its new destination.

Before installing and/or using the equipment, read this instructions manual carefully, in particular the "Safety" chapter.

The manual must be stored with the device and remain at the disposal of qualified installation and maintenance personnel..

## **Structure and equipment**

(Fig. 1)

- (1) No. 1 Plaque
- (2) No. 1 Remote control unit (pre-assembled on support)
- (3) No. 1 **SC EXT B** wall box (supplied)
- Supplied screws

## **2. Operation and use of the control unit**

The Remote Control user interface allows users to:

- Regulate fan speed
- Modify weekly programming
- View and manage any alarm situations

### **User interface**

Fig. 2

The Remote Control is equipped with a graphics display and some buttons as shown in the figure.

Reference	Key	Function Description
(1)	I	Function recall 1
(2)	II	Function recall 2
(3)	X	Exits the page that is displayed.
(4)	▲	Increases speed / moves to the lower value or bottom row.
(5)	▼	Decreases speed / moves to the upper row or to the higher value.
(6)	✓	Confirmation key (OK)

Key and display backlighting remains active for about two minutes after the last key is pressed. When backlighting is off, you can switch it back on again without activating any function by pressing any key.

**NOTE:** Further details and features are described in the paragraph "Operation and use" in the target product Instructions Manual.

### 3. Connection diagrams



**CAUTION!:**

**Equipment connection must be carried out by professionally qualified personnel.**



**CAUTION!:**

**The electrical power line to which the equipment will be connected must be protected by a suitable differential thermal magnetic switch.**

Fig. 4

The remote control does not need to be powered to the external power supply but is wired directly to the target product (via terminal board).

Connection via cable is carried out via an outside wall of a box with an external or recessed cable.

## 4. Installation

- The circuit support (fig.3) allows for the application of different plaques as shown in the following table:

USABLE PLAQUES	4 DENTIN POSITION TO BE BROKEN (fig.4)
BTicino Light, Light Tech, Living	X
Vimar Plana, Eikon	X
Vimar Idea, Rondò	Y
Gewiss Playbus, Playbus Young	X
Ave Sistema 45, Banquise, Yes, Noir, Blanc	NONE
<b>VORTICE</b>	X

- Insert the tube with the cables (fig.5,6).
- Make the connection according to the wiring diagrams (fig.4).
- Make fixing holes for the box as in (fig.7,8,9).
- Fasten the plaque support to the box by means of the supplied screws (fig. 10).
- Affix the plaque by pressing it into the support (fig.11).

## 5. Maintenance and cleaning



### **CAUTION!:**

All equipment repairs must be carried out by qualified personnel. Improper repairs can put the user in serious danger. If your equipment needs repair, contact service assistance.



### **CAUTION!:**

before undertaking any maintenance operations, make sure that equipment is not and cannot accidentally be powered electrically. Therefore, cut off the power supply for any maintenance or cleaning.

Fig. 12

Cleaning and maintenance operations must be carried out with the power supply disconnected or switched off.

Fig. 13

To clean the outside surface of equipment, use only a soft, clean cloth, dampened with water or non-abrasive or aggressive cleaning products if necessary.

Fig. 14

Caution: do not expose the product directly to water.

## **Important information concerning the environmentally compatible disposal**

**IN CERTAIN EUROPEAN UNION COUNTRIES THIS PRODUCT DOES NOT FALL WITHIN THE REQUIREMENTS OF THE NATIONAL LAWS IMPLEMENTING DIRECTIVE WEEE, AND IN THESE COUNTRIES THE PRODUCT IS NOT SUBJECT TO SEPARATE DISPOSAL OPERATIONS AT THE END OF ITS WORKING LIFE.**

This product conforms to EU Directive 2012/19/EC.

This appliance bears the symbol of the barred waste bin. This indicates that, at the end of its useful life, it must not be disposed of as domestic waste, but must be taken to a collection centre for waste electrical and electronic equipment, or returned to a retailer on purchase of a replacement.



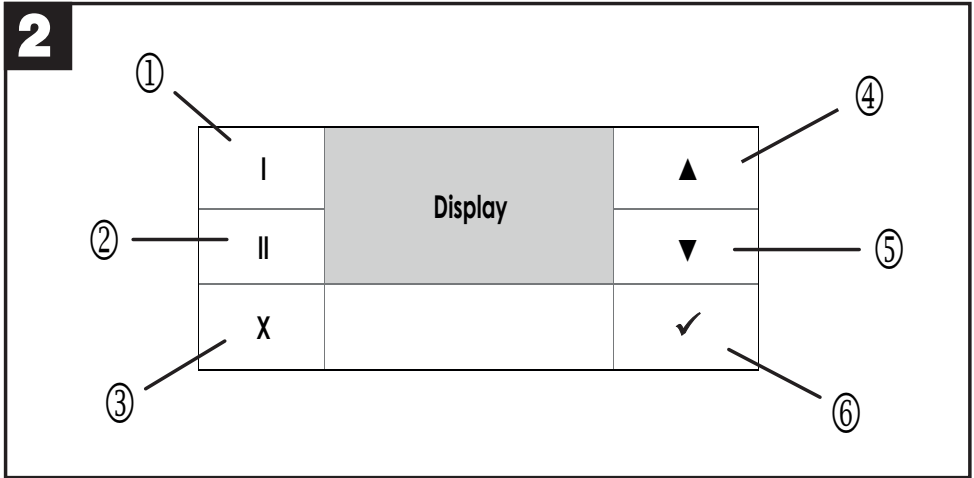
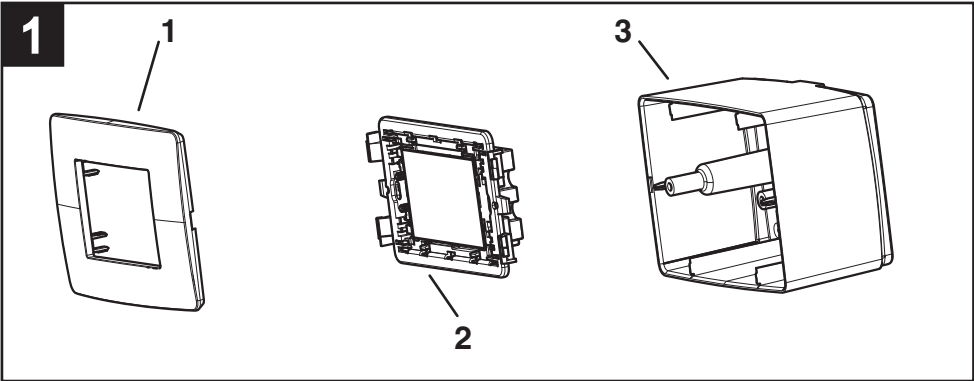
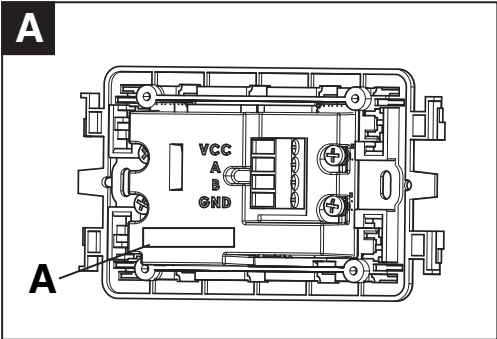
It is the user's responsibility to dispose of this appliance through the appropriate channels at the end of its useful life. Failure to do so may incur the penalties established by laws governing waste disposal.

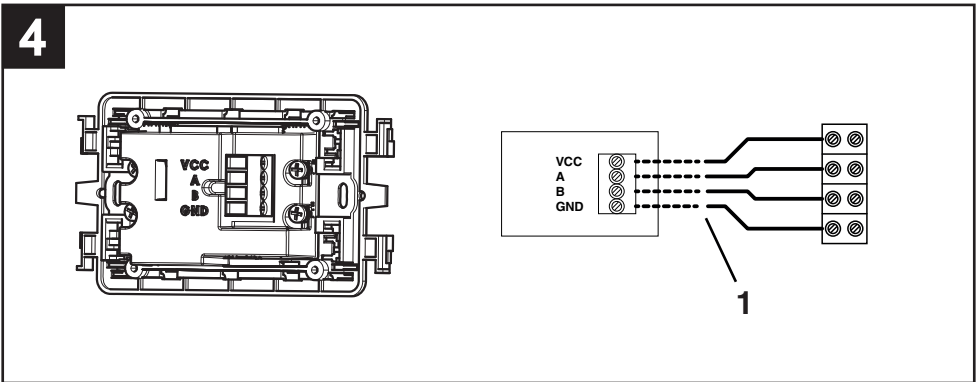
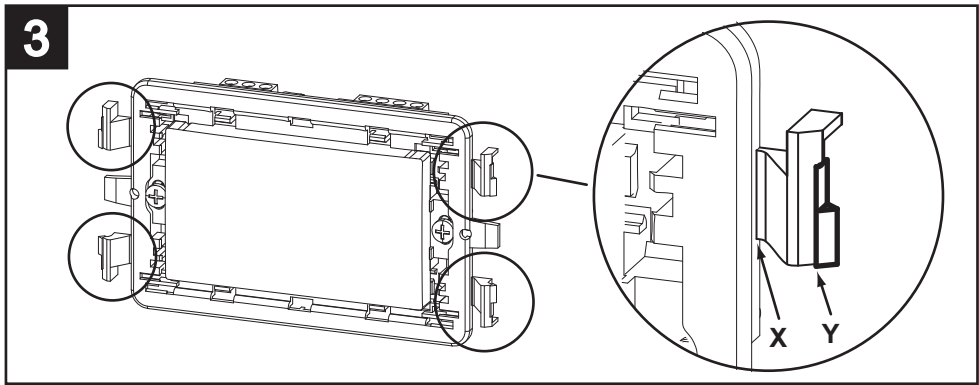
Proper differential collection, and the subsequent recycling, processing and environmentally compatible disposal of waste equipment avoids unnecessary damage to the environment and possible related health risks, and also promotes recycling of the materials used in the appliance.

For further information on waste collection and disposal, contact your local waste disposal service, or the shop from which you purchased the appliance.

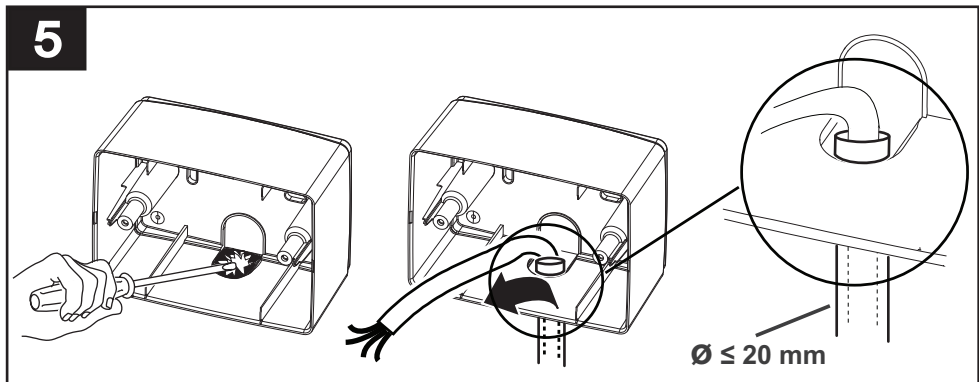
Manufacturers and importers fulfil their responsibilities for recycling, processing and environmentally compatible disposal either directly or by participating in collective systems.

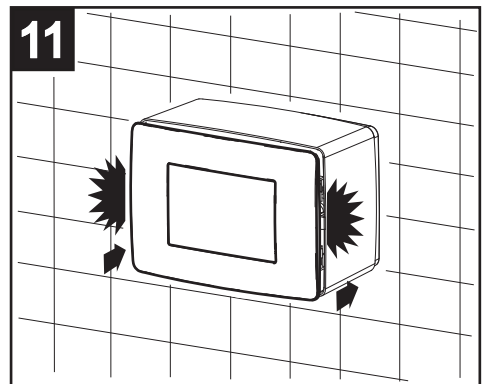
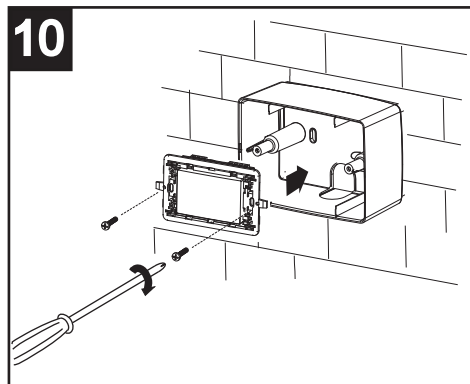
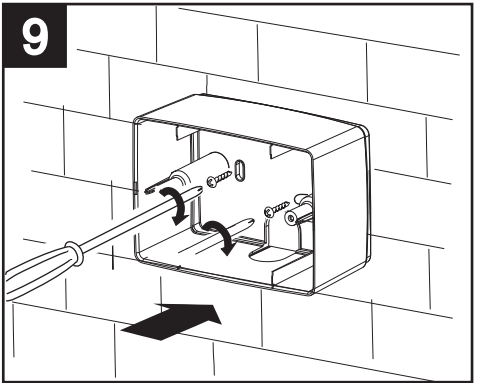
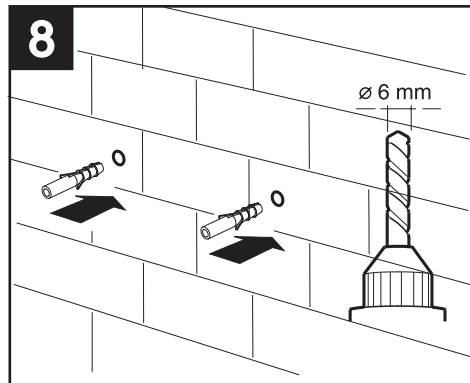
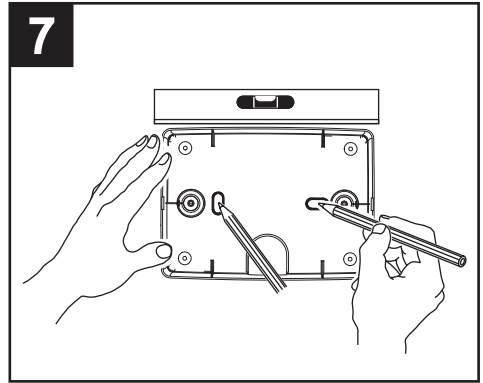
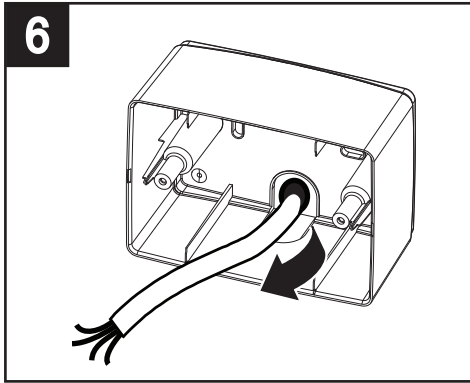


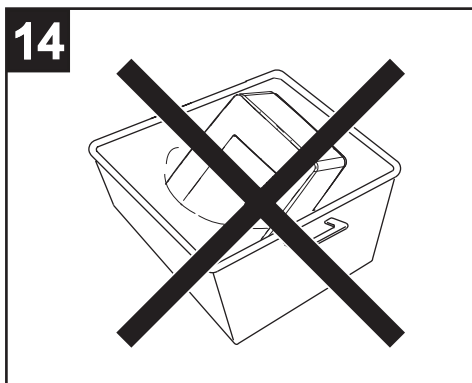
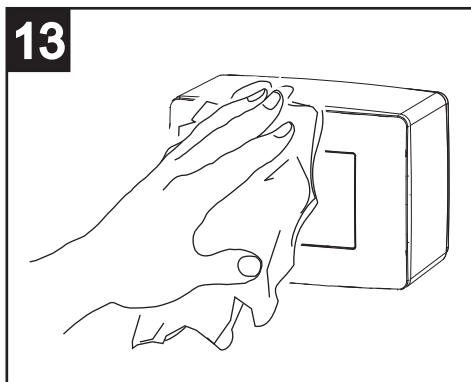
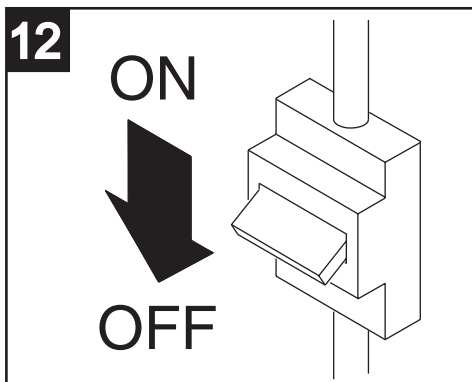




1: See the target product manual for connection diagrams.







### JOULE IE

mail Kylemore Park West, Ballyfermont, Dublin 10  
tel +353 (1) 623 7080  
fax +353 (1) 626 9337  
eml [info@joule.ie](mailto:info@joule.ie)  
web [www.joule.ie](http://www.joule.ie)

### JOULE UK

mail Unit 17C&D Power Road, Plantation Bus. Pk.  
Bromborough, Wirral, CH62 3RN  
tel +44 (0) 1513 551 094  
fax +44 (0) 1513 568 336  
eml [info@jouleuk.co.uk](mailto:info@jouleuk.co.uk)  
web [www.jouleuk.co.uk](http://www.jouleuk.co.uk)

### JOULE PL

mail 23-200 Kraśnik, ul. Towarowa 34  
tel +48 (0) 128811171  
fax +48 (0) 814709046  
eml [biuro@joule-pl.pl](mailto:biuro@joule-pl.pl)  
web [www.joule-pl.pl](http://www.joule-pl.pl)

