

InvaVent 350

Capacity	Type	Model	Installation
230m ²	Mechanical Ventilation with Heat Recovery	InvaVent 350	Wall Mounted

Key Features

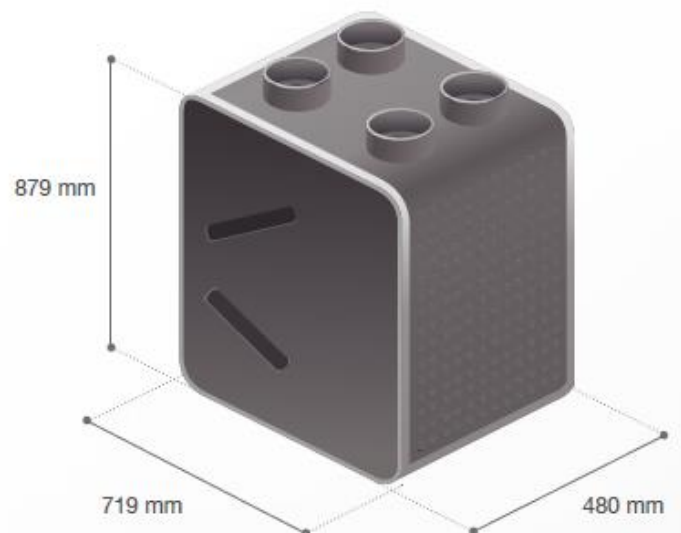
- Ideal For dwelling up to 230m²;
- Weight 22kg;
- EPP Construction;
- Boost Operation;
- Summer By-Pass;
- Digital Controller;
- Automatic Frost Protection.

Constructive Specifications

Model	InvaVent 350
Code	MH-HR-INVA-350
V-50Hz	230
W	165
A	1.4
Max Airflow (m ³ /hr)	388
Max Airflow (l/s)	108
Max Pressure (Pa)	690
Max. Working Temperature (°C)	50

SAP Appendix Q - Approved Results

Configuration	Specific Fan Power	Heat Echa. Efficiency (%)
Kitchen + 1 Wet Room	0.61	91%
Kitchen + 2 Wet Room	0.56	91%
Kitchen + 3 Wet Room	0.56	90%
Kitchen + 4 Wet Room	0.65	90%
Kitchen + 5 Wet Room	0.72	89%
Kitchen + 6 Wet Room	0.85	89%
Kitchen + 7 Wet Room	0.99	88%



Connection Ø 150 mm