

InvaVent Maxi

Capacity	Type	Model	Installation
300m ²	Mechanical Extraction Ventilation	InvaVent Maxi	Wall/Floor Mounted

Key Features

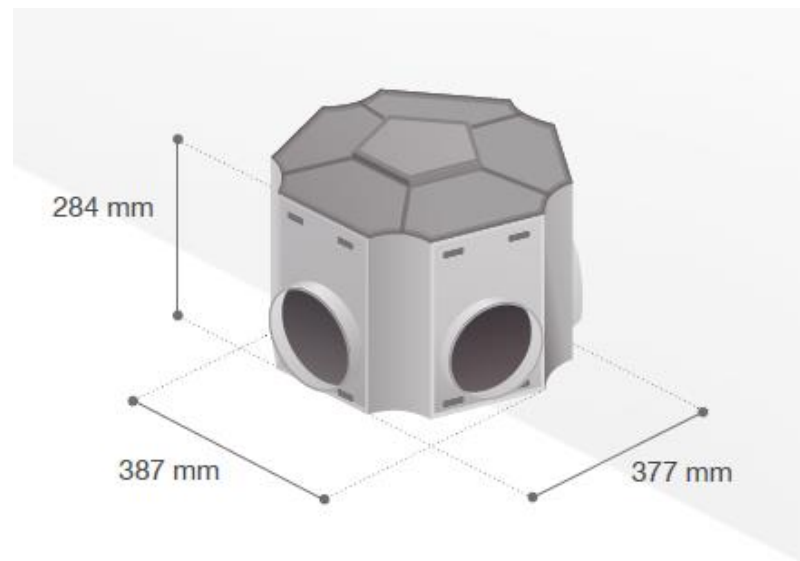
- Ideal for Dwelling up to 300m²;
- Weight 3kg;
- Position in any orientation;
- Humidity Sensors;
- Low Watt EC Motor Technology;
- Low Noise.

Constructive Specifications

Model	InvaVent Maxi
Code	MH-HR-INVA-Maxi
V-50Hz	230
W	70
A	0.3
Max Airflow (m ³ /hr)	500
Max Airflow (l/s)	138
Maximum Pressure	410
Max. Working Temperature (°C)	50

SAP Appendix Q - Approved Results

Configuration	Specific Fan Power
Kitchen + 1 Wet Room	0.24
Kitchen + 2 Wet Room	0.21
Kitchen + 3 Wet Room	0.2
Kitchen + 4 Wet Room	0.23
Kitchen + 5 Wet Room	0.25
Kitchen + 6 Wet Room	0.29



Connection Ø 125 mm